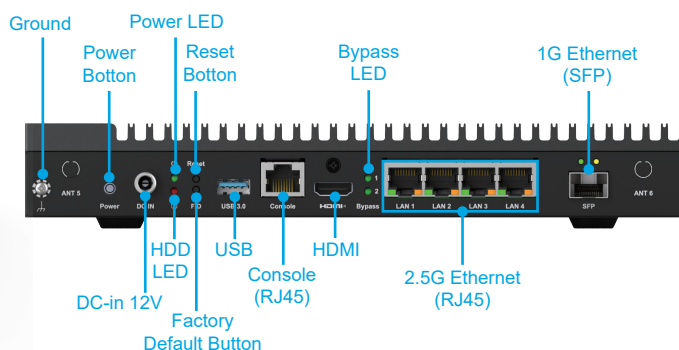


ANS-12000/12001

Compact Fan-less System with Intel® Amston Lake x7433RE(4C)/ x7835RE(8C) Processor for SD-WAN solution



FEATURES

- ANS-12000 series builds on Intel® Amston Lake x7433RE / x7835RE
- Up to 8 Efficient Cores (E-cores) with Intel UHD Graphics (Xe-based, up to 32 EUs) and support Intel DL Boost (INT8), AVX2
- 1x DDR5 4800 MT/s non-ECC SO-DIMM up to 32GB
- 2x SIM slots
 - 1x M.2 Key-M 2242 slot (SATA)
 - 1x M.2 Key-E 2230 slot (PCIe + USB 2.0) or M.2 2242/2280 (NVME) choose one of two *1
 - 1x M.2 Key-B 3042/3052 slot
- 1x TPM2.0 (On-Board)
Design ready for 5G and WiFi

Ordering Guide

ANS-12000	Category	csn_system
	Product	ANS-12000
	Description	ANS-12000. ASL x7433RE, Fan-less System. 2.5GbE RJ45*4. 1GbE SPF*1. HDMI*1
	P/N	AS5-3680
	Status	Available
ANS-12001	Category	csn_system
	Product	ANS-12001
	Description	ANS-12001 ASL x7835RE, Fan-less System. 2.5GbE RJ45*4. 1GbE SPF*1. HDMI*1
	P/N	AS5-3679
	Status	Available

General

Processor	Intel® Atom® x7433RE Processor Intel® Atom® x7835RE Processor
BIOS	AMI uEFI BIOS
Memory	Support up to 16GB on 1 non-ECC SODIMM
Storage	1 x 2.5" SSD/HDD 2242 Slot (SATA) 1 x eMMC 32G on board
Watchdog Timer	Programmable, time out period from 1 s to 255 s
Graphic Controller	Intel® UHD Graphics

Rear I/O

Ethernet	4 x 2.5 GbE w/ Intel WGI226IT Bypass 1 x GbE w/ Intel WGI210IT Combo
USB	1 x USB 3.2 Gen1 Type A on Rear
Display	1 x HDMI® 2.0 3840 x 2160@60Hz
Other	Power Button, Reset Button
Console Port	1 x RJ45
LED	Bypass, ETH Status, HDD, Power, RSSI, WiFi
Antenna	SMA Antenna holes for 5G / LTE / WiFi
SIM Slots	2 x Micro-SIM

Expansion I/O

M.2	1 x E Key w/ 3042 USB 2.0 and PCIe x1 1 x M Key 2242/2280 PCIe Gen3 x4 or 1 x B+M Key 2230 WiFi module
Security	TPM 2.0

ME/Environment

Dimension(WxDxH)	200 x 255 x 36 mm (7.87" x 10.04" x 1.42")
Weight	2.25 kg
Power Supply	DC Jack 12V Single
Mounting	Desktop, Wall Mount
Operating Temperature	-40 ~ 40 °C (-40°F ~ 104°F)
Storage Temperature	-40 ~ 70 °C (-40.0 ~ 158.0 °F)
Cooling	Fanless
Relative Humidity	5% to 90%, non-condensing
Certification	CE, FCC Class B Part18, CE LVD Safety (EN32638-1)
Portwell Special Feature	PET, NODE.X

*Choose one of three with M.2 Key-E 2230 slot, SFP, and M.2 Key-M 2242/2280 slot