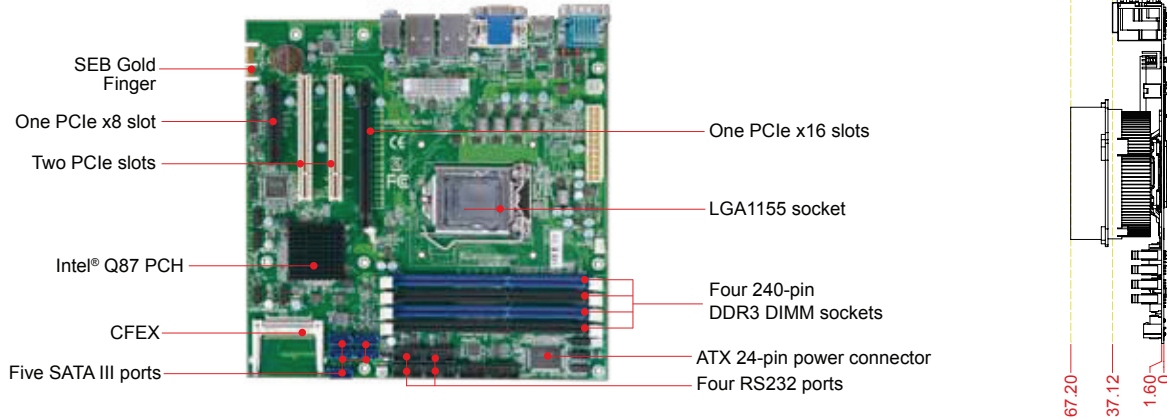


RUBY-D720VG2AR

Intel Core 4th generation family by LGA1150 package μ ATX with DDR3 SDRAM, Triple display, Dual Gigabit Ethernet, and USB Ports

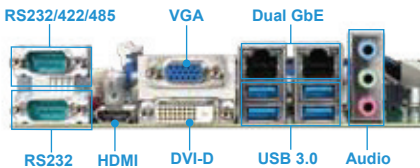


RUBY-D720VG2AR is based on Intel® Q87 chipset and desktop processor sku like Core Intel Core 4th Gen. Build with PCI and PCI Express expansions, it is suitable for Medical, Industrial automation, and digital signage applications.

FEATURES

- Intel Core 4th generation family by LGA1150 package
- Four Long-DIMMs support dual channel DDR3 non-ECC SDRAM up to 32GB
- Rear I/O, USB2.0/3.0 dual Gigabit Ethernet, COM Port and SATA III ports support Intel RAID 0, 1, 5, 10.
- One PCIe x16 (Gen3), One PCIe x8 (Gen2, x4 signal), One PCIe x1 gold finger and two PCI slot.
- Intel® Active Management Technology 9.0

REAR I/O



ORDERING GUIDE

AB1-3B15	(R).RUBY-D720VG2AR.Micro-ATX.IMB. LGA1150.CPU.Q87.DDR3/VGA/HDMI/DVI/Dual GbE/COM/Audio/USB
-----------------	---

PACKING LIST

One RUBY-D716VG2AR ATX Industrial Main Board
One Installation DVD
One SATA III cable
One I/O shield

GENERAL

Processor	- Intel® Core™ 4th generation family by LGA1150 package processor - DMI x4 Link: 5.0GT/s - Support Intel® Turbo Boost, Hyper-Threading, Virtualization, Thermal Monitoring, Trusted Execution and SpeedStep Technology (depends on CPU sku)
Chipset	Intel® Q87 PCH
BIOS	AMI BIOS
Memory	Support up to 32GB DDR3 1333/1600 SDRAM on four 240-pin DIMM sockets (dual channel)
Storage Devices	- Support 5x SATA drives - Support 1x CFEX slot - Support RAID 0,1,5,10
Watchdog Timer	Programmable via S/W from 0.5 sec. to 254.5 sec.
Expansion Interface	- 1x PCI Express x16 Gen3 up to 8.0 GT/s - 1x PCI Express x8 (PCIe x4 signal Gen2 up to 5.0 GT/s) - 2x PCI devices at 32 bit 33 MHz - 1x PCIe x1 gold finger

I/O INTERFACE

Super I/O	ITE IT8728F
Audio	- Intel® Q87 PCH built-in High Definition Audio up to 192-kHz 32-bit - Realtek ALC892 HDA codec, 5.1 channels
Ethernet	- Intel® WG1218LM + WG1210AT gigabit ethernet controller - Dual 10BASE-T / 100BASE-TX / 1000BASE-T Etherne - Dual RJ-45 connector with two LED indicators
Serial Port	- 1x RS232 on rear I/O - 1x RS232/422/485 selectable port on rear I/O - 4x RS232 with header
USB	- 4x USB 3.0 Ports on rear I/O - 8x USB 2.0 Ports on board
Keyboard & Mouse	PS/2 on board dedicated to keyboard & mouse
GPIO	On board programmable 8-bit Digital I/Os

DISPLAY

Graphic Controller	- Intel® Core™ 4th gen. processors integrated graphic engine - Provided improved 3D multimedia capabilities including Microsoft DirectX 11.1, Shader Model 4.0, MPEg-2 and OpenGL 3.2
Display Interface	- VGA: Resolution up to 2560x1600 @ 60Hz - DVI-D: up to 1920x1200 @ 60Hz - HDMI: up to 1920x1200 @ 60Hz Support Triple Display

Mechanical & Environment

Dimension	- 243.8(L) x 243.8(W); 9.6"(L) x 9.6"(W) - PCB: 6 layers
Power Supply	ATX 24-pin power input
Environment	- Operation Temperature: 0~60 °C (with highest performance on 50 °C) - Storage Temperature: -20~80 °C - Relative Humidity: 5~90%, non-condensing
MTBF	Over 120,000 hours at 40°C

