

Ultra-Small Form Factor Industrial PC with Intel® Apollo Lake family processor

KUBER-212E-IT

- Intel® Celeron N3350, 2 cores, 1.1GHz/2.4 GHz, 6W TDP)
- 4GB onboard LPDDR4 memory
- Supports 2 GbE, 2 USB 3.0, 1 DP, 1 RS-232 and 1 RS-232/422/485
- M.2 Key E and mini-PCIe for Wireless communication
- 32GB onboard eMMC 5.0 storage



Specifications

General

CPU

Intel® Celeron N3350, 2 cores, 1.1GHz/2.4 GHz, 6W TDP

Memory

On Board LPDDR4 up to 4GB, 2133MT/s
Dual memory channel, 64bit, non-ECC

Mass Storage

eMMC 5.0 onboard flash 32GB up to 256GB

Power Input

Standard: 24VDC (+/- 30%)

Operation System

Windows® 10 IoT Enterprise LTSB 2016 (64-bit)
Linux Yocto Warrior v2.7.1 (kernel 4.14)

Expansion

1x M.2 Key E 2230 for wireless card
1x M.2 Key B 2242 for storage
1x Mini-PCIe supports full size mini card

Basic I/O Interface

Power Connector

1x 2-Pin Terminal Block

Giga LAN

2x 10/100/1000 GbE (Intel® i210)

USB

2x USB 3.0

Display

1x DP v1.4 4096 x 2160 @ 60Hz

Extended I/O Interface

1x RS 232
1x RS 232/422/485 (BIOS Configurable)

EMC Standard

Compliance to CE/FCC

Environmental and Mechanical

Storage Temperature

-40 °C ~ 85 °C

Operating Temperature

0°C ~ 40°C @ 5~85% RH with airflow

Relative Humidity

5% ~ 95% (non-condensing)

Vibration

1G, with DIN-Rail (EN 60068-2-6)

810G, with Wall mount (MIL-STD-810G 514.7C-V Category-4)

Shock

15g with 11 ms impulse length, 18 shocks in total (EN 60068-2-27)

40g with 11 ms impulse length, 18 shocks Wall mount (EN 60068-2-27)

Degree of Protection

IP 30

Dimension

99mm (L) x 63mm (W) x 92 mm (D)

Net weight

0.65Kg

Mounting

DIN-Rail / Wall Mount

Cooling

Fan-less

Optional Accessories

Power Adaptor

2-pin Connector, 60W, 24V/2.5A

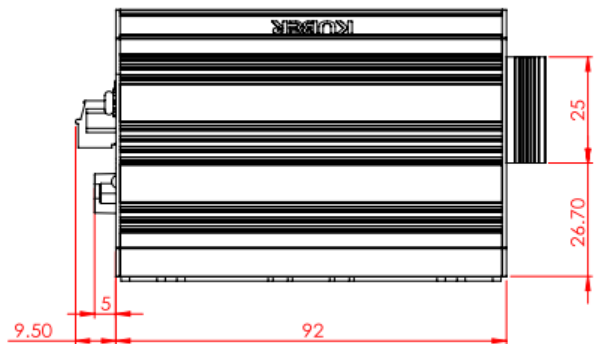
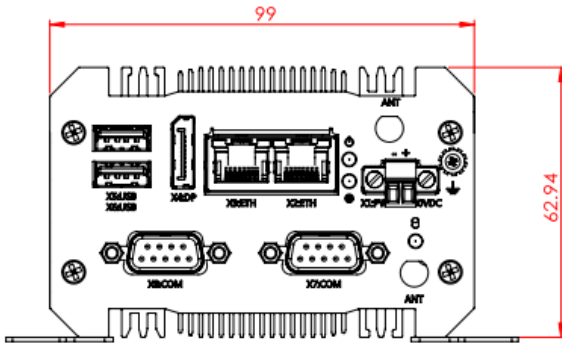
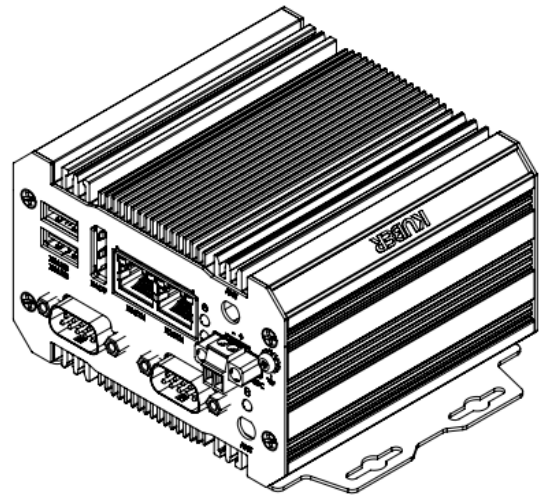
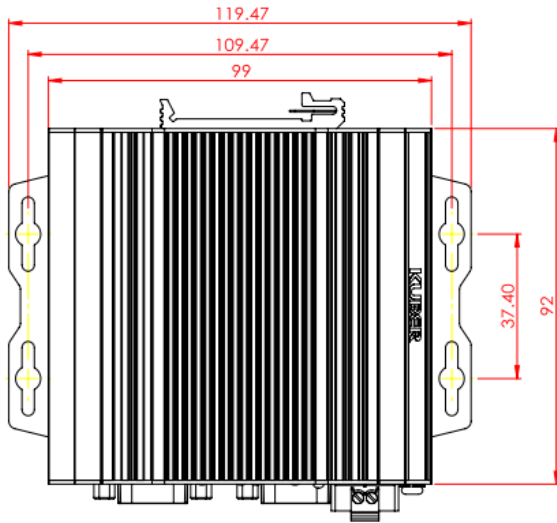
Mounting Kit

DIN-Rail / Wall Mount

Video Adaptor

DP to VGA/ DP to DVI

Dimension



MITWELL, Inc.
9F., No.242, Bo'ai St., Shulin Dist.,
New Taipei City 238, Taiwan
T: +886-2-7739-5566
F: +886-2-7715-0690

Portwell, Inc. Headquarters

No. 242, Bo'ai St., Shu-Lin Dist, New Taipei City
238, Taiwan
Tel: +886-2-77318888
Fax: +886-2-77319888
E-mail: info@portwell.com.tw
<http://www.portwell.com.tw>

Americas

American Portwell (Fremont, CA)
44200 Christy St., Fremont, CA 94538, USA
Tel: +1-510-403-3399
Fax: +1-510-403-3184
E-mail: info@portwell.com
<http://www.portwell.com>

Portwell Latin America (Brazil)
Av. Paulista, 1274 - 13 andar, CEP 01310-200, Sao Paulo
Tel: +55(11) 2309-3513
<http://www.portwell.com.br>

India

Portwell India Technology
2nd Floor, 5M-665, 5th Main Road, OMBR Layout,
Banarwadi, Bangalore -560043, India
Tel: +91-80-41684255
E-mail: info@portwell.in
<http://www.portwell.in>

China

Shanghai Portwell
Room 1303-1, Building 33, 258 Xinchuan Rd
Songjiang District, Shanghai, 201612, China
Tel: +86-21-5771-2505
Fax: +86-21-6772-2905
E-mail: info@portwell.com.cn
<http://www.portwell.com.cn>

Beijing Portwell
4F, Building 5, Quanying Zone, Chuangye Rd, 8,
Shangdi, Haidian District Beijing 100085, China
Tel: +86-10-8270-1616
Fax: +86-10-8270-0608
E-mail: info@portwell.com.cn
<http://www.portwell.com.cn>

Korea

Portwell Korea, Inc.
O-BIZ Tower 1601, No.126,
Beolim-ro, Dongan-gu, Anyang-si,
Gyeonggi-do, Korea, 431-060
Tel: +82-31-450-3043
Fax: +82-31-450-3044
E-mail: info@portwellkorea.co.kr
<http://www.portwell.co.kr>

Europe

European Portwell
Schillingweg 3, 2153 PL
Nieuw Vennep,
The Netherlands
Tel: +31-252-620790
Fax: +31-252-621325
E-mail: info@portwell.eu
<http://www.portwell.de>

Portwell Deutschland GmbH
Otto-Hahn-Str. 48, D-63303 Dreieich
Tel: +49-6103-3008-0
Fax: +49-6103-3008-199
E-mail: info@portwell.eu
<http://www.portwell.de>

Portwell (UK) Ltd.

Office T12
Trident House, Trident Park Basil Hill
Road, Didcot, OX11 7HJ, UK
Tel: +44(0)1235-750760
Fax: +44(0)1235-750761
E-mail: info@portwell.co.uk
<http://www.portwell.co.uk>

Japan

Portwell Japan, Inc. (Tokyo)
〒112-0011 4-27-10, Sengoku, Bunkyo-ku,
Tokyo, Japan
Tel: +81-3-6902-9225
Fax: +81-3-6902-9226
E-mail: info@portwell.co.jp
<http://www.portwell.co.jp>

Portwell Japan, Inc. (Osaka)
〒532-0004 Ste.501 Nippo Shin-osaka Dai-2 Bldg,
1-8-33 Nishi-Miyahara, Yodogawa-ku Osaka Japan
Tel: +81-6-4807-7720
Fax: +81-6-4807-7721
E-mail: info@portwell.co.jp
<http://www.portwell.co.jp>

All products and company name listed are trademarks or trade names of their respective companies.
KUBER-212E_Datasheet_V1.. Updated by MiTwell, Inc. All Rights Reserved.
All specifications are subject to change without further notice