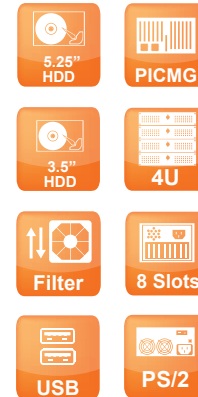


AREMO-8164

8-slot full-size industrial node chassis
(Shoe-box)



AREMO-8164 is designed for PICMG 1.0/1.3 with 8-slot backplane that is 4U full size industrial node chassis built with two 5.25" HDD driver space for CD/DVD-ROM, two internal 3.5" HDD driver bays and replaceable air filter for easy maintenance. AREMO-8164 equips two USB interface on front panel, and also high wattage PS/2 form factor PSU. The compact size feature of AREMO-8164 is suitable for Industrial and Engineering applications.

FEATURES

- Two 5.25" and two internal 3.5" HDD drive bays for CD-ROM or mobile rack, easy to install software and mirror disk (RAID1)
- Two USB ports on the front panel
- Can be vertically or horizontally mounted, easy to fit into space limited environment
- One 12cm ball-bearing cooling fan for better ventilation
- One replaceable air filter for easy cleaning
- Two adjustable positions for hold-down card retainers provide better protection from vibration
- Wall-mounting bracket equipped
- Both 8-slot PICMG 1.0 or 1.3 backplane applicable; easy to change different backplanes
- Field replaceable power supply bracket for both normal PS/2 and PS/2 redundant power supply, easy for changing defected power supply

ORDERING GUIDE

- **AREMO-8164**
8-slot full-size industrial node chassis
- **AREMO-8164/B**
8-slot full-size industrial black node chassis

GENERAL

Construction	Heavy-duty steel
Drive Bay	External: 1x 5.25" Internal: 2x 3.5" HDD
Card Retainer	Two locations for one card retainer
Air Filter	One replaceable air filter at the front door
Cooling Fan	One 12cm ball-bearing fan
Indicator	1x Power On/Off, 1x HDD
Switch	1x Power On/Off, 1x System reset
Speaker	One 8Ω speaker
Connector	2x USB ports on the front panel
Standard Color	Silver, Black
Dimension	330(W) x 420.8(D) x 172(H) mm; 12.99"(W) x 16.56"(D) x 6.77"(H)
Weight	Net: 10 kg (22.1 lb); Gross: 9.5 kg (20.9 lb)
Backplane	PBP-08P41: 8-slot [PCIe (3), PCI(4), PCI-X(0)] PICMG 1.3 backplane PBP-08A4: 8-slot [PCI(7), PCI-X(0)] active PICMG 1.3 backplane PBP-07P4 : 8-slot [PCIe (2), PCI(7), PCI-X(0)] PICMG 1.3 backplane

POWER SUPPLY

PLUTO-D3501PJ optional

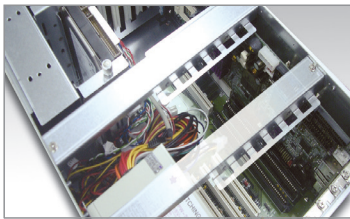
Maximum output	350W active PFC
Output Voltage & Current	+5V@12A; +12V1@18A; +12V2@18A; +3.3V@18A; -12V@0.3A, +5Vsb@2.5A
Input Voltage	90V ~ 264V AC, full range
Input Frequency	50 ~ 60Hz
Input Current	8A@115V, 8A@230V
Efficiency	> 80%
MTBF	100,000 hrs
EMI & Safety Approval	UL, TUV, CE, FCC, CB, VCCI, 80PLUS
Temperature/Humidity	Operating: 5°C ~ 50°C, 20% ~ 85%RH Storage: -40°C ~ 70°C, 10% ~ 95%RH
Dimension (WxDxH)	150 x 140 x 86 mm; 5.9" x 5.5" x 3.4"

ENVIRONMENT

Operating Temperature	0°C ~ 55°C
Storage Temperature	-20°C ~ 80°C
Relative Humidity	5% ~ 95%, non-condensing
Vibration	5~7 Hz: 0.5" double amplitude displacement 7~2000 Hz: 1.5g acceleration

FEATURE	BENEFITS
<ul style="list-style-type: none"> 5.25" drive bays for CD-ROM or mobile rack 	<ul style="list-style-type: none"> Easy to install software and mirror disk (RAID 1)
<ul style="list-style-type: none"> Two USB ports on the front panel 	<ul style="list-style-type: none"> Easy to operate the system
<ul style="list-style-type: none"> One replaceable air filter 	<ul style="list-style-type: none"> Easy cleaning
<ul style="list-style-type: none"> Can be vertically or horizontally mounted 	<ul style="list-style-type: none"> Easy to fit into different space limited environments
<ul style="list-style-type: none"> Two adjustable positions for hold-down card retainer 	<ul style="list-style-type: none"> For fixing all the cards more flexibly and tightly
<ul style="list-style-type: none"> Both 8-slot ISA and PICMG backplane applicable 	<ul style="list-style-type: none"> Easy to change to different backplane and keep in stock
<ul style="list-style-type: none"> Field replaceable power supply bracket for both normal PS/2 power supply and PS/2 type redundant power supply 	<ul style="list-style-type: none"> Easy maintenance

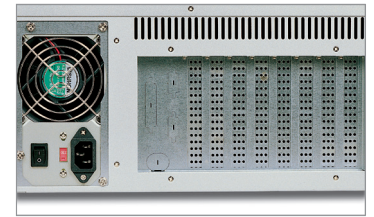
REFINEMENT



Two Adjustable Card Retainer Positions
For fixing all the cards more flexibly and tightly

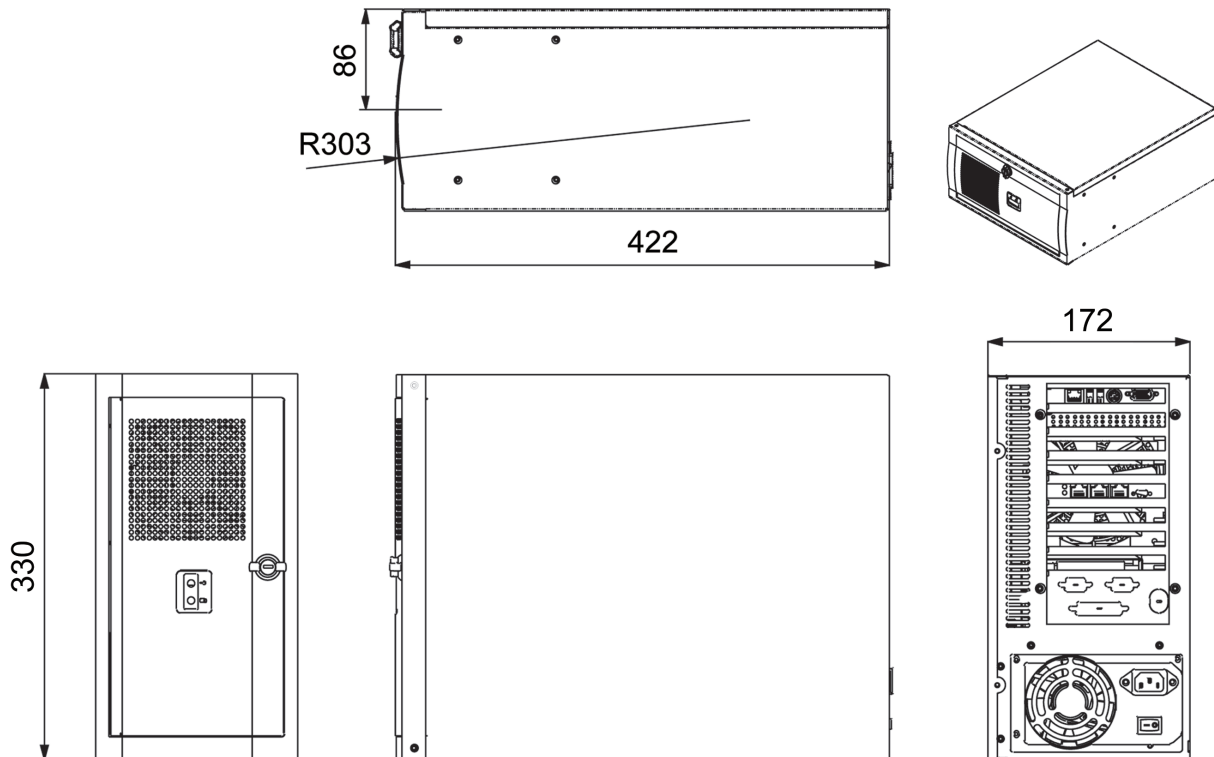


Plastic Fan Filter
For easy cleaning and replacing



Excellent Cooling System
New slot cover for better ventilation

MECHANICAL DRAWING



Unit: mm