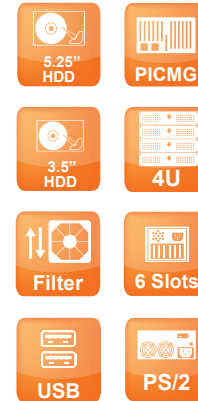


# AREMO-6163

6-slot full-size industrial node chassis  
(Shoe-box)



AREMO-6163 is designed for PICMG 1.0/1.3 with 6-slot backplane that is 4U full size industrial node chassis built with one 5.25" HDD driver space for CD/DVD-ROM, two internal 3.5" HDD driver bays and replaceable air filter for easy maintenance. AREMO-6163 equips two USB interface on front panel, and also high wattage PS/2 form factor PSU. The compact size feature of AREMO-6163 is suitable for Industrial and Engineering applications.

## FEATURES

- One external 5.25" and two internal 3.5" HDD drive bays
- Two USB ports on the front panel
- Can be vertically or horizontally mounted, easy to fit into space limited environment
- One 12cm ball-bearing cooling fan for better ventilation
- One replaceable air filter for easy cleaning
- Two adjustable positions for hold-down card retainers provide better protection from vibration
- Wall-mounting bracket equipped
- Both 6-slot PICMG 1.0 or 1.3 backplane applicable; easy to change different backplanes
- Field replaceable power supply bracket for both normal PS/2 and PS/2 redundant power supply, easy for changing defected power supply

## ORDERING GUIDE

- **AREMO-6163**  
6-slot full-size industrial node chassis with 6-slot (3xPCI) PICMG backplane
- **AREMO-6163/B**  
6-slot full-size industrial black node chassis with 6-slot (4xPCI) PICMG backplane

## GENERAL

Construction	Heavy-duty steel
Drive Bay	External: 1x 5.25" Internal: 2x 3.5" HDD
Card Retainer	Two locations for one card retainer
Air Filter	One replaceable air filter at the front door
Cooling Fan	One 12cm ball-bearing fan
Indicator	1x Power On/Off, 1x HDD
Switch	1x Power On/Off, 1x System reset
Speaker	One 8Ω speaker
Connector	2x USB ports on the front panel
Standard Color	Silver, Black
Dimension	260(W) x 420.5(D) x 172(H) mm; 10.24"(W) x 16.56"(D) x 6.77"(H)
Weight	Net: 8.5 kg (18.7 lb); Gross: 9.5 kg (20.9 lb)
Backplane	PBP-06P4: 6-slot [PCIe (1), PCI (4), PCI-X (0)] PICMG 1.0 backplane PBP-06P3: 6-slot [PCIe (2), PCI (3), PCI-X (0)] PICMG 1.0 backplane PBP-06P2: 6-slot [PCIe (3), PCI (2), PCI-X (0)] PICMG 1.0 backplane

## POWER SUPPLY

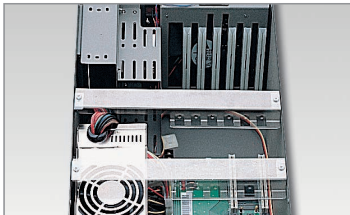
Maximum output	350W active PFC
Output Voltage & Current	+5V@12A; +12V1@18A; +12V2@18A; +3.3V@18A; -12V@0.3A, +5Vsb@2.5A
Input Voltage	90V ~ 264V AC, full range
Input Frequency	50 ~ 60Hz
Input Current	8A@115V, 8A@230V
Efficiency	> 80%
MTBF	100,000 hrs
EMI & Safety Approval	UL, TUV, CE, FCC, CB, VCCI, 80PLUS
Temperature/Humidity	Operating: 5°C ~ 50°C, 20% ~ 85%RH Storage: -40°C ~ 70°C, 10% ~ 95%RH

## ENVIRONMENT

Operating Temperature	0°C ~ 55°C
Storage Temperature	-20°C ~ 80°C
Relative Humidity	5% ~ 95%, non-condensing
Vibration	5~7 Hz: 0.5" double amplitude displacement 7~2000 Hz: 1.5g acceleration

FEATURE	BENEFITS
<ul style="list-style-type: none"> <li>5.25" drive space for CD-ROM or mobile rack</li> </ul>	<ul style="list-style-type: none"> <li>Easy to install software</li> </ul>
<ul style="list-style-type: none"> <li>Two USB ports at the front</li> </ul>	<ul style="list-style-type: none"> <li>Easy to operate the system</li> </ul>
<ul style="list-style-type: none"> <li>One replaceable air filter</li> </ul>	<ul style="list-style-type: none"> <li>Easy cleaning</li> </ul>
<ul style="list-style-type: none"> <li>Can be vertically or horizontally mounted</li> </ul>	<ul style="list-style-type: none"> <li>Easy to fit into different space limited environments</li> </ul>
<ul style="list-style-type: none"> <li>Two adjustable positions for hold-down card retainer</li> </ul>	<ul style="list-style-type: none"> <li>For fixing all the cards more flexibly and tightly</li> </ul>
<ul style="list-style-type: none"> <li>Both 6-slot and PICMG backplane applicable</li> </ul>	<ul style="list-style-type: none"> <li>Easy to change to different backplane and keep in stock</li> </ul>
<ul style="list-style-type: none"> <li>Field replaceable power supply bracket for both normal PS/2 power supply and PS/2 type redundant power supply</li> </ul>	<ul style="list-style-type: none"> <li>Easy maintenance</li> </ul>

## REFINEMENT



**Two Adjustable Card Retainer Positions**  
For fixing all the cards more flexibly and tightly

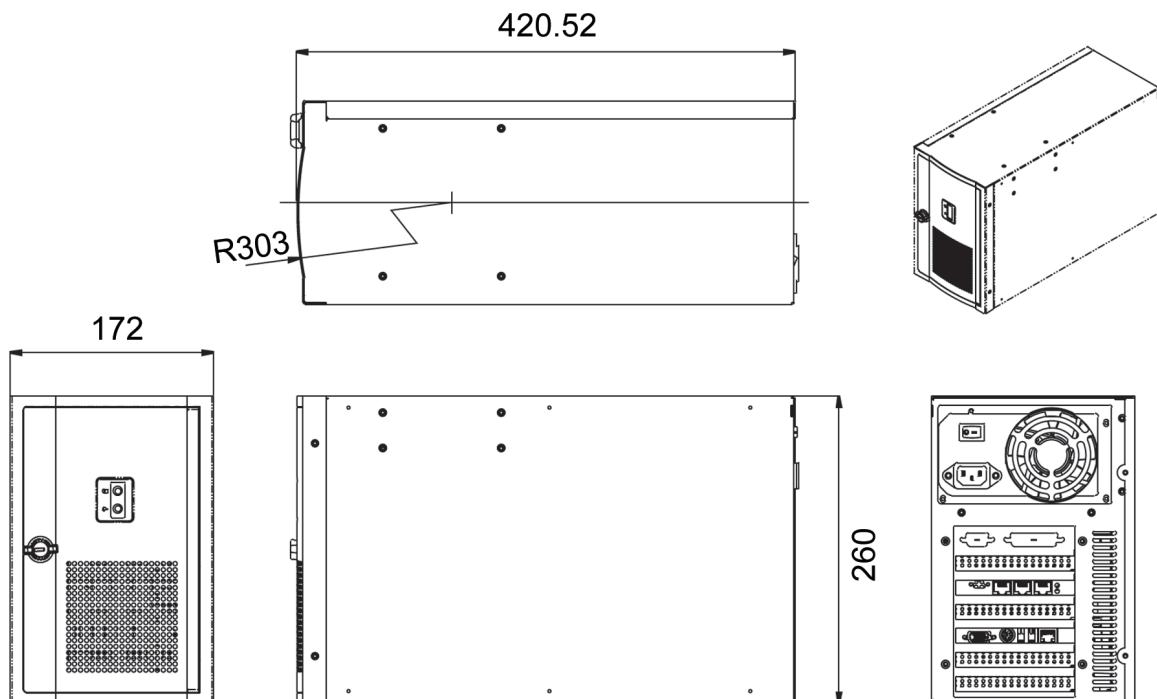


**Plastic Fan Filter**  
For easy cleaning and replace



**New HDD Drive Design**  
Easy to install HDD drives

## MECHANICAL DRAWING



Unit: mm